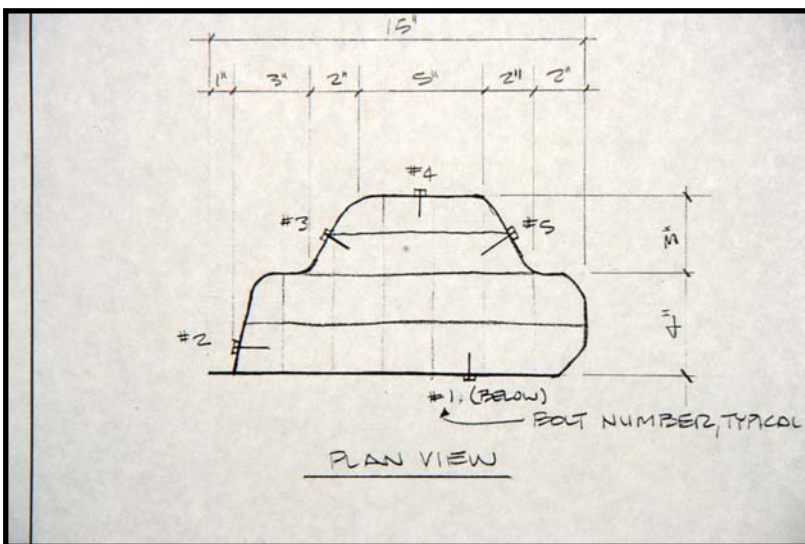


Slip and Fall



An individual claimed that this foot step on this rental truck was loose due to an untightened bolt, causing him to slip and injure himself.

He claimed he subsequently retightened the bolt to avoid others slipping on the step.



Our investigation revealed that even if any three of the five bolts holding the step in place were all loose, the step would not be loose.